



FLOWCOMSYS

Solutions for i-Safety



www.flowcomsys.com

FLOWCOMSYS

Flowcomsys is established in 2022. We are ISO 9001:2015 certified company. we are young and passionate technocrats & technical architects to fulfill your smooth technological transformation and technical needs to uplift your business.

Flowcomsys support to maintain the flow of your business and make it hassle-free, So that you don't feel stuck at any point of your business. We believe the toughest circumstances can lead us to derive the simplest and effective solutions.

VISION - MISSION

We pledge to accomplish viable, transparent and result driven solutions at a short span of time for our clients. we support our clients to lower their digitalizing cost and use their information to grow their business. We believe transparency in business leads to trust in the long term.

We are equipped with our team to build a hassle-free system and make it accessible in various Industry.

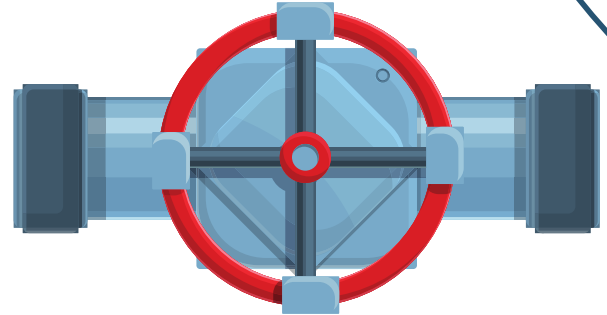
We are thriving to become the one stop solution for your workflow automation, Manufacturing, Intellectual property and Record Management services.



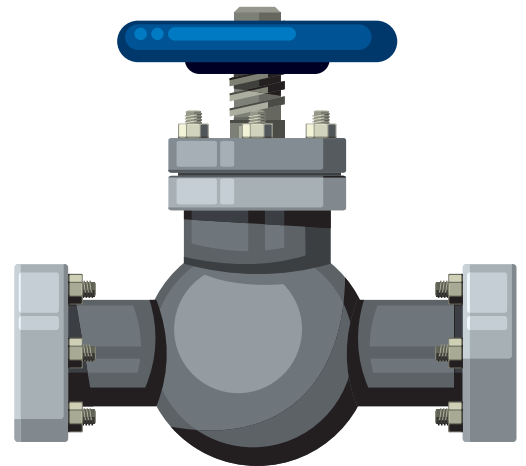
PRODUCTS

DESCRIPTION	CAST STEEL	FORGED STEEL
SIZES (INCHES)	2 TO 42	½ TO 2
PRESSURE RATING	150#, 300#, 600#, 900#, 1500# & 2500#	800#, 1500# & 2500#
MATERIAL OF CONSTRUCTION	WCB, WC6, WC9, CF8, CF8M, CF3M, LCB, C12A, etc.,	A105, F304, F316, F316L, LF2, F11, F22, etc.,
END CONNECTION	FLANGED, BUTT WELD	THREADED, SOCKET WELD, BUTT WELD

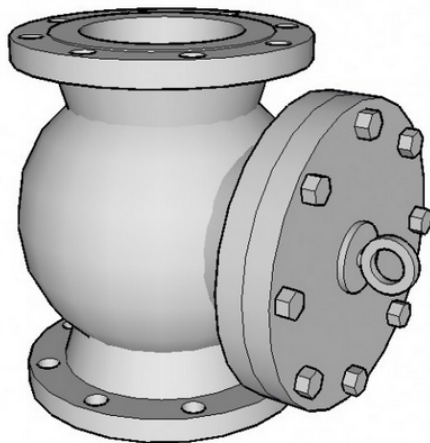
GATE VALVE



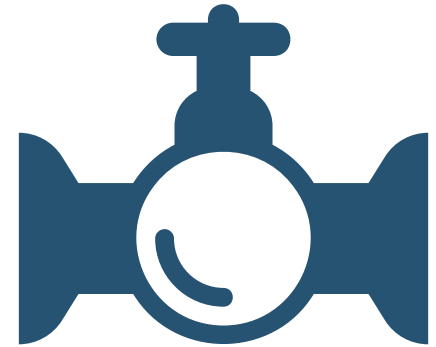
GLOBAL VALVE



CHECK VALVE

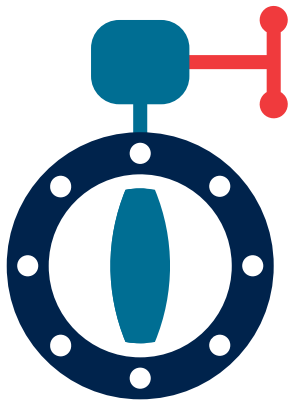


BALL VALVE



DESCRIPTION	SINGLE PIECE - FLOATING - CAST STEEL	TWO PIECE - FLOATING - CAST STEEL	THREE PIECE - FLOATING - FORGED STEEL	TWO PIECE - TRUNNION - CAST STEEL
SIZES (INCHES)	½ TO 2	150# & 300#	WCB and CF8M	FLANGED
PRESSURE RATING	½ TO 10	150#, 300# & 600#	WCB, CF8, CF8M, CF3M, LCB, etc.,	FLANGED
MATERIAL OF CONSTRUCTION	½ TO 2	800#	A105, F304, F316, F316L, etc.,	SOCKET WELD, THREADED
END CONNECTION	2 TO 16	150#, 300# & 600#	WCB, CF8, CF8M, CF3M, LCB, etc.,	FLANGED

BUTTERFLY VALVE



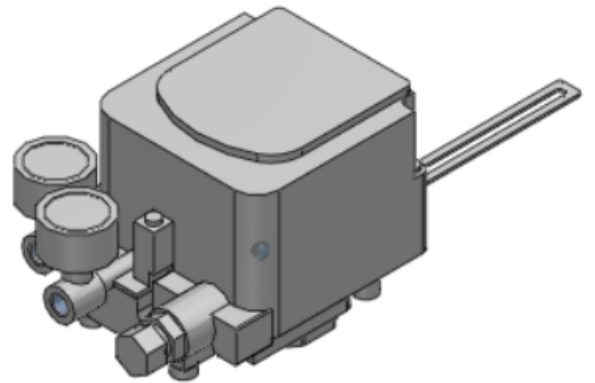
DESCRIPTION	BUTTERFLY
SIZES (INCHES)	2 TO 48
PRESSURE RATING	PN 6, PN 10, PN 16, 150#, 300# & 600#
MATERIAL OF CONSTRUCTION	CAST IRON, DUCTILE IRON, WCB, CF8, CF8M, CF3M, etc.,
END CONNECTION	WAFER, LUGGED, FLANGED

ACTUATORS



POSITIONER

- Pneumatic Positioner
- Electromatic Positioner
- Smart Positioner





We are authorized Agency for Unicorn Valves (India)

A. Control Valve

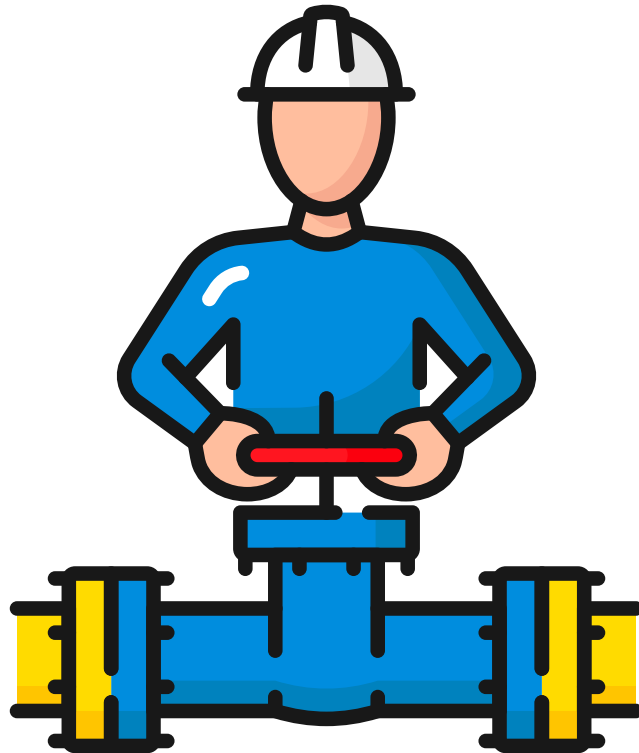
- 91000 Series - Top guided Type
- 92000 Series - Angle Type
- 93000 Series - Micro Flow Type
- 94000 Series - Cage guided Type
- 95000 Series - Cage guided Angle Type
- 96000 Series - Three way Type
- 97000 Series - Multi-step Multi-stage Axial Flow
- 98000 Series - Multi-stage Axial Flow
- 99000 Series - Multi-stage Radial Flow

Accessories

- Pneumatic Positioner
- Electro Pneumatic Positioner
- Smart Positioner
- Air Filter Regulators
- Limit Switches
- Solenoid Valves
- Volume Booster
- Quick Exhaust Valve
- Air lock Relay



VALVE SERVICE & SOLUTIONS



One Stop Solutions for Valves, Actuator and Accessories

Contact Us:

FLOWCOMSYS SOLUTIONS PVT LTD
No 10, subash illam Mahalakshmi Nagar,
Urapakkam - 603202.
Phone : 9962203123.
Mail : Sales@flowcomsys.com
Website : www.flowcomsys.com